

Model OSW Series

Shear Beam Load Cell (500kg ~ 10t)

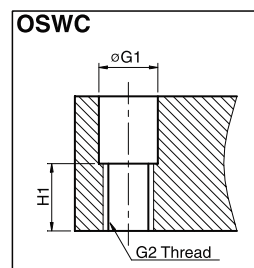
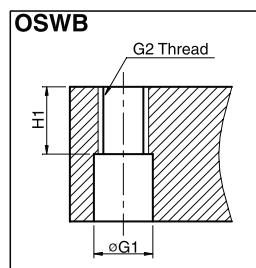
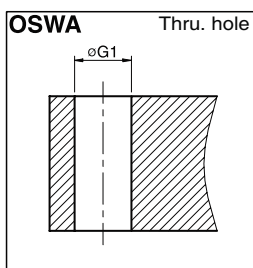
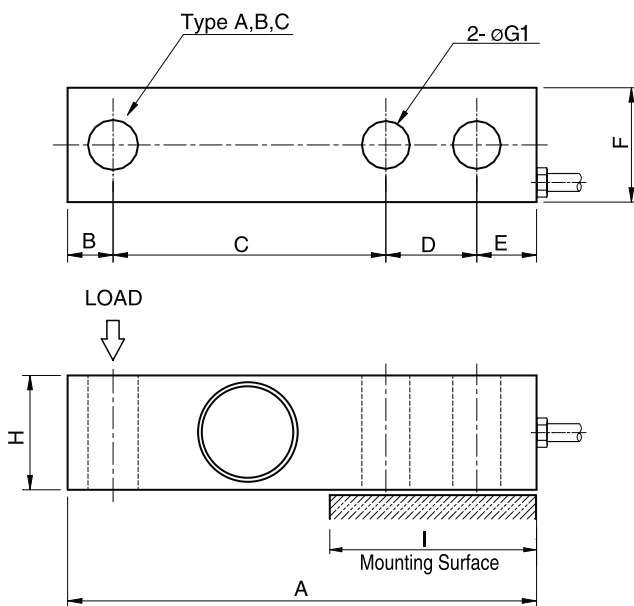


The OSW series single ended shear beam load cell is designed for high accuracy platform scales and a variety of process weighing applications.

- 17-4PH stainless steel construction for high accuracy and corrosion resistance.
- Fully welded seal with stainless steel cover for hostile environment applications.

SPECIFICATIONS

MODEL	OSWA, OSWB, OSWC	
Rated capacity (R.C.)	500kg, 1, 2, 3, 5, 10t 2, 4, 5, 10, 20 klbs	
Rated output(R.O.)	2mV/V ± 0.25%	
Non-linearity	≤0.03% R.O.	
Hysteresis	≤0.03% R.O.	
Non-repeatability	≤0.02% R.O.	
Creep error	≤0.03% in 20min.	
Zero balance	≤1% R.O.	
Compensated temperature range	-10 ~ 70°C	
Operating temperature range	-20 ~ 80°C	
Temp. effect on rated output	≤0.03% LOAD/10°C	
Temp. effect on zero balance	≤0.03% R.O./10°C	
Terminal input resistance	400 Ohms ± 20 Ohms	
Terminal output resistance	350 Ohms ± 5 Ohms	
Insulation resistance (Min.)	2000 MOhms at 50V DC	
Excitation voltage	10V(Recommended), 15V(Max.)	
Electrical connection	200kg ~ 2t (22AWG x 4Core Shielded)	Ø5mmx3m(Standard), 6m(Option)
	3, 5t(10t)	Ø5mmx6m(Ø7x6m)
Protection class	meets IP 68	
Safe overload	150% R.C	
Ultimate overload	300% R.C	

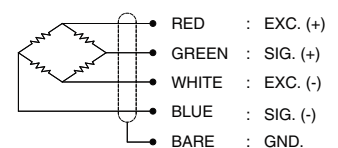


ORDERING INFORMATION

OSWA - 5T

MODEL	CAPACITY
OSWA	0.5, 1, 2, 3, 5, 10 t
OSWB	2, 4, 5, 10, 20 klbs
OSWC	(Lbs Available)

WIRING INFORMATION



Dimension-mm

Capacity	A	B	C	D	E	F	Ø G1	G2	H	H1	I	Weight(kg)
500kg ~ 2t (4.903~19.61kN)	131	12.7	76.2	25.4	16.7	32	13.5	M12x1.75P	32	16	56	0.8
3, 5t (29.42, 49.03kN)	171.5	19	95.3	38.1	19.1	38.1	20.5	M20x2.5P	38	19	76.2	1.8
10t (98.07kN)	222.3	25.4	120.7	50.8	25.4	50.8	26.2	M24x2P	50.8	25	108	4.1

* Specifications are subject to change without notice

JAN, 2010