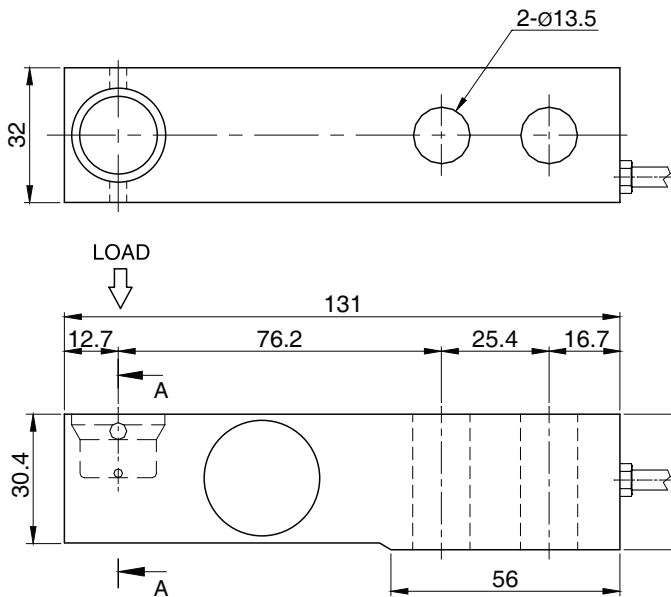


Model OSWN Series

Shear Beam Load Cell (500kg ~ 2t)

The OSWN series single ended shear beam load cell is designed for high accuracy platform scales and a variety of process weighing applications.

- 17-4PH stainless steel construction for high accuracy and corrosion resistance.
- Fully welded seal with stainless steel cover for hostile environment applications.



SPECIFICATIONS

| MODEL | OSWN |
|---------------------------------------|-------------------------------|
| Rated capacity (R.C.) | 500kg, 1, 1.5, 2t |
| Rated output(R.O.) | 2mV/V ± 0.25% |
| Non-linearity | ≤ 0.03% R.O. |
| Hysteresis | ≤ 0.03% R.O. |
| Non-repeatability | ≤ 0.02% R.O. |
| Creep error | ≤ 0.03% in 20min. |
| Zero balance | ≤ 1% R.O. |
| Compensated temperature range | -10 ~ 70°C |
| Operating temperature range | -20 ~ 80°C |
| Temp. effect on rated output | ≤ 0.03% LOAD/10°C |
| Temp. effect on zero balance | ≤ 0.03% R.O./10°C |
| Terminal input resistance | 400 Ohms ± 20 Ohms |
| Terminal output resistance | 350 Ohms ± 5 Ohms |
| Insulation resistance (Min.) | 2000 MOhms at 50V DC |
| Excitation voltage | 10V(Recommended), 15V(Max.) |
| Electrical connection(4Core Shielded) | ø5mmx3m(Standard), 6m(Option) |
| Protection class | meets IP 68 |
| Safe overload | 150% R.C |
| Ultimate overload | 300% R.C |

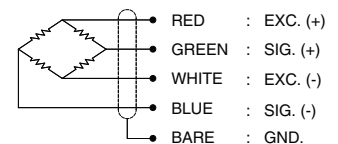
ORDERING INFORMATION

OSWN - 2T

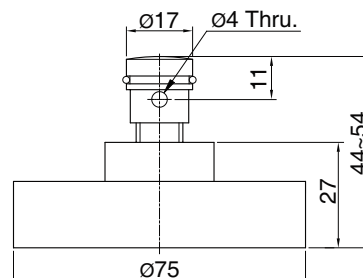
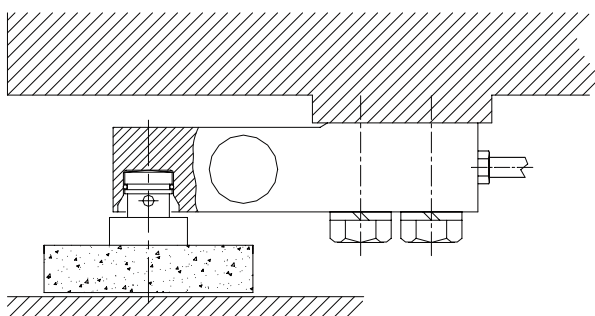
MODEL
OSWN

CAPACITY
500, 1000, 1500, 2000kg

WIRING INFORMATION



Installation



Height Adjustable Foot
LFOSWN-1 (Stainless steel & Rubber)

* Specifications are subject to change without notice

JAN, 2010