

Skylift - II series

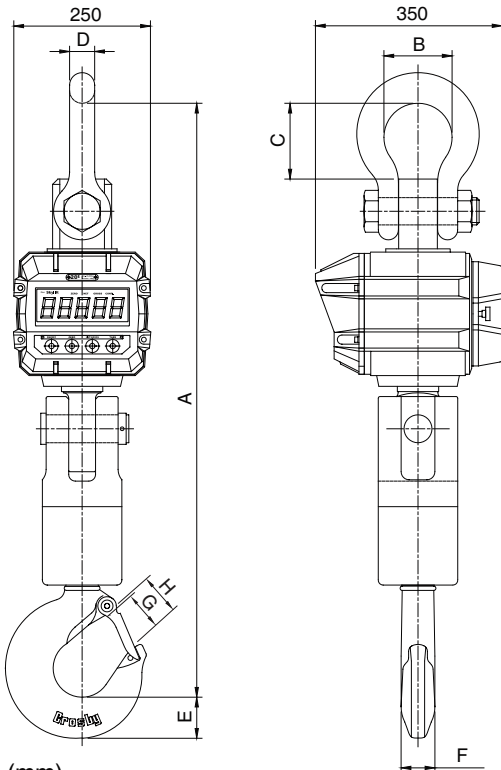
Crane Scales (10t ~ 50t)

Features;

- Robust design & High accuracy
- Large brightness LED display(38mm)
- Sturdy swivel hook("Crosby" or equivalent)
- 24bit Sigma-delta A/D converter
- Easy access rechargeable battery
- Watertight push button switch
- I.R. remote control (on/off, zero, net/gross, tare, hold)
- Optional wireless display & controller

SPECIFICATIONS

Model	NCS			
Capacity (Max.)	10t	15, 20t	30t	50t
Division (e=d)	5kg	10kg	10kg	20kg
Display	38mm height LED, 5 digit			
Power	6 volt lead-acid rechargeable battery			
Battery operating time	80 hours between recharging			
Recharging time	Approx. 4 hours			
Operating temperature	-10°C ~ 50°C			
Enclosure	Cast aluminium, IP64			
Safe overload	150% of rated capacity			
Ultimate overload	500% of rated capacity			
Hook	Swivel hook with thrust bearing			
Switches	On/Off, Zero, Net/Gross, Tare			
Annunciators(LED lamp)	Continuation(Auto power OFF), Zero, Net, Gross			
Accessories	(1) Battery, 6 volt rechargeable (2) Battery charger (Free voltage, AC85~260V) (3) I.R. Type Remocon			
Option	1) Wireless Handy Indicator(Model : BS-52R) 2.4GHz Bluetooth Communication 2) Wireless Desktop Indicator / Large Display			
Remarks	Upper link 1) 10t : Eye nut ("Crosby" G-400 or Eq.) 2) 15-50t : Shackle ("Crosby" G-2130 or Eq.)			



Dimension (mm)

Model	Capacity	A	B	C	D	E	F	G (with latch)	H (without latch)	Weight(kg)
NCS - 10T	10,000kg x 5kg	735	104	150	38 x 38	66	56	61	66.5	55 kg
NCS - 15T	15,000kg x 10kg	840	98	110	38 x 41	77	68	81	86.5	62 kg
NCS - 20T	20,000kg x 10kg	1110	127	143	47 x 57	77	68	81	86.5	90 kg
NCS - 30T	30,000kg x 10kg	1302	146	145	51 x 61	116	92	76	108	190 kg
NCS - 50T	50,000kg x 20kg	1560	184	210	67 x 80	152	113	105	146	297 kg

15, 20, 30, 50t



ORDERING INFORMATION

NCS - 10T
 MODEL: NCS
 CAPACITY: 10, 15, 20, 30, 50ton

* Specifications are subject to change without notice

APR. 2009